

Impulse Range

IP10-01

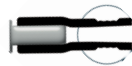
Technical Data Sheet

milkrите Product Code	milkrите Part Number	Compatible Claw
-----------------------	----------------------	-----------------

IP10-01

200022-01

Fits claws with 12-13mm OD nipples with square cut. This is a shorter version to fit lower bagged cows



Material Approval



The compound used for this liner meets BFR Food Regulation XXI Category 3 for products that come into contact with food, and is approved to this standard by RAL. Our materials are REACH compliant

Liner Map - To Optimise Performance

Liner maps have been developed through independent research and testing on farm. You will find a copy of the liner map in the Impulse Air Dealer Manual. Use the liner maps to set the optimum conditions to achieve the desired output with the best teat condition

Shell Options

PLASTIC WEIGHT



Plastic shell / Plastic weight option

Weights : Shell - 122g
: Plastic Weight - 17g
: Total - 139g

Total weight of liner, shell and plastic weight - 262g

STAINLESS STEEL WEIGHT

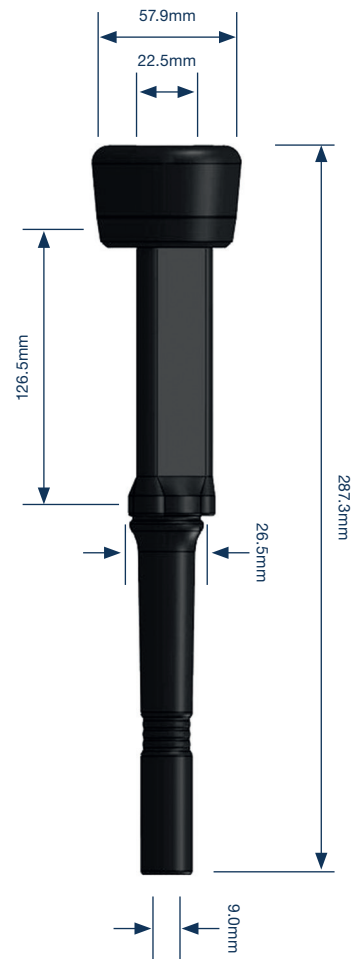


Plastic shell / Stainless steel weight option

Weights : Shell - 122g
: Steel weight - 126g
: Total - 248g

Total weight of liner, shell and stainless steel weight - 371g

impulse®



Warranty

milkrите liners are warranted to last a minimum of 2500 milkings or six months when used in accordance with our instructions and those of the parlour manufacturer.

The information in this document is not binding and can be changed without notice. Parlours and herds vary considerably, so these details are meant to be guidelines to operation only and not a specification. It remains the responsibility of the operator to ensure the correct working of the plant and the health of the animal.

milkrите, Hampton Park West, Semington Road, Melksham, Wiltshire SN12 6NB, UK



www.milkrите-interpuls.com

milkrите | InterPuls
Improving every farm we touch